

HSTECH

Pneumatic Stencil Cleaning Machine

Model: HS-600

Shenzhen Hansome Technology Co.,Ltd



Stencil Cleaning

**We are the smart and professional cleaning machines manufacturer,
supplying one-stop cleaning solutions for SMT industry**

Design

Professional design, advanced



**Big machinery and
electric engineer
team**

Fabrication

Production focus on details



**Test and have a
comparison of materials
and control every step
of production**

Service

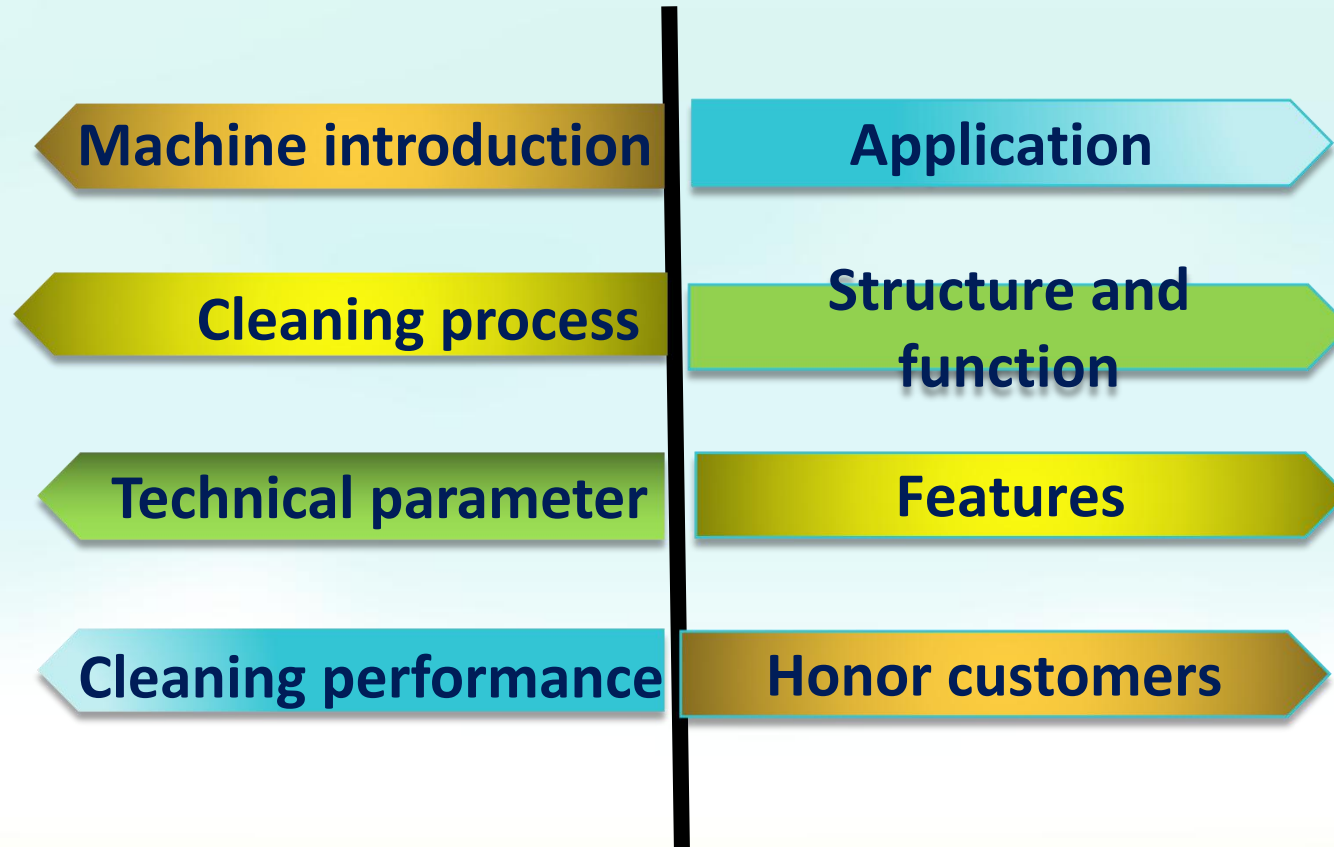
Customers first site



**Pursuit customer's
satisfaction, providing
professional guidance
and counseling services**

HS-600 Pneumatic Stencil cleaner

The Content Of Slide:



Full pneumatic stencil cleaner

Introduction



Stencil cleaning

HS-600

This machine serve for the electronic manufacturing, it used to clean stencil,screen print,mesh, copper screen,micro screen and crystal disk,also the misprinted circuit board , fixture, etc.

This equipment complete pneumatic operating without fire risk, no electricity, very safe. Ergonomically in design. Cleaning and drying process can be easily control with one-button operation. The whole cleaning and drying process powered by air compressor, cleaning solvent recycle using, low consumption.

HS-600 Pneumatic stencil cleaner

Application



Avionics



High speed rail



Medical Electronics



Smart phone



Automotive electronics



New energy



Communication base



High-end power

HS-600 Pneumatic stencil cleaner

Cleaning object:



Stencil , metal mesh,screen print mesh,copper screen,micro screen
and Crystal disk

HS-600 Pneumatic stencil cleaner

Cleaning process:

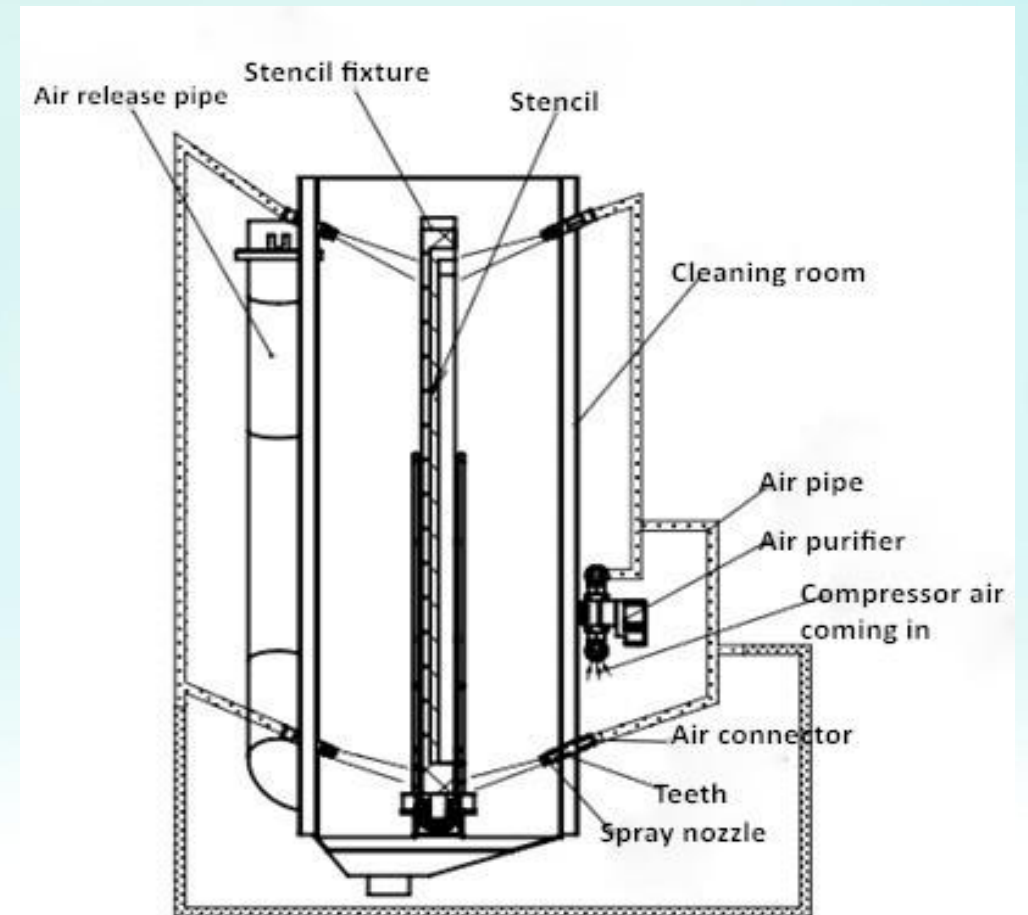
- Cleaning recycle diagram



HS-600 Pneumatic stencil cleaner

Working principle:

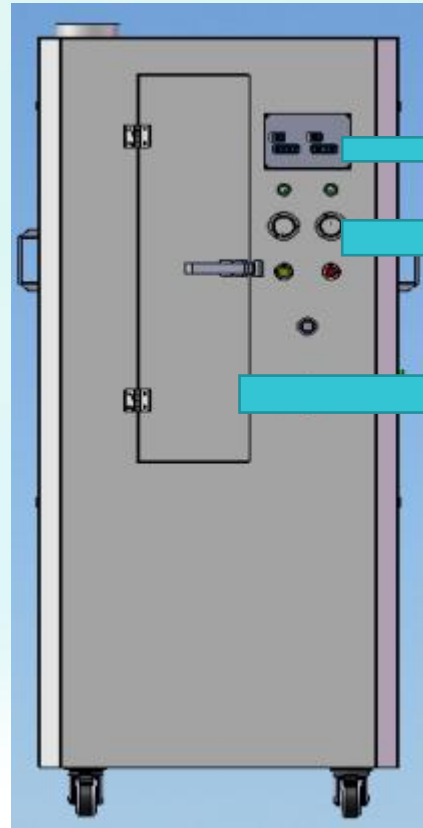
- Stencil drying principle diagram:(air come from side, air and liquid road separated)



HS-600 Pneumatic stencil cleaner

Structure and function

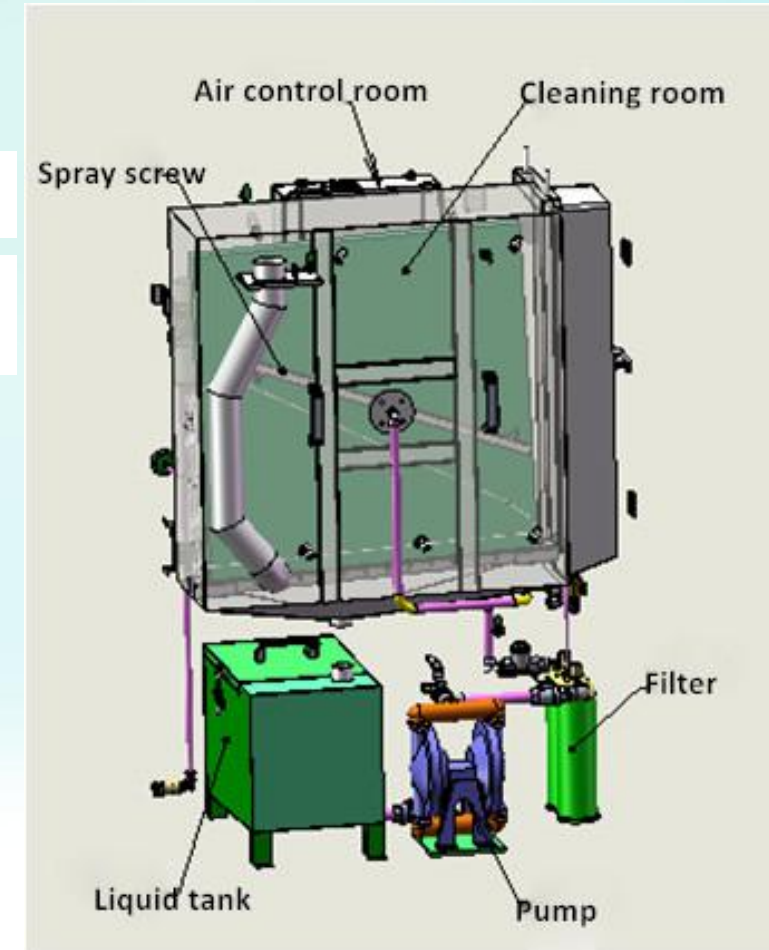
● Main structure diagram:



Timer

Control panel

Cleaning room



Air control room

Cleaning room

Spray screw

Liquid tank

Pump

Filter

HS-600 Pneumatic stencil cleaner

Technical data:

Cleaning stencil size	L740 × W740 × H40(mm) or customized
Machine dimension	L1000*W700*H1730 (mm)
Max solvent capacity	40L
Best solvent usage	30L
Cleaning method	360° rotary spray cleaning and high pressure air injection
Cleaning time	2-4min
Drying time	2-5min
Compressor	0.4~ 0.6 (Mpa)
Air consumption	400 ~600(L/Min)
Outlet size	Φ125 × H25(mm)
Filter system-level one	10μm (Filter impurities and labels)
Filter system-level two	5μm (Filter solder paste and rosin particle)
Filter system-level three	1μm (Filter solder paste and rosin particle)
Machine weight	200Kg

HS-600 Pneumatic stencil cleaner

Technical data:

3levels filter system details:

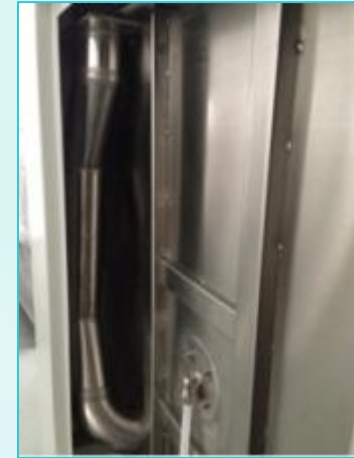
Item	filters	Brand	Filter replace time
1 st level 10μm	impurities and labels	FR	12months
2 nd level 5μm	solder paste and rosin particle	FR	1~2 months
3 rd level 1μm	solder paste and rosin particle	FR	1 ~2 months

Item	Parameters
Solvent	Alcohol
Stencil size	Standard 29 inch and below
Cleaning time	3-5 mins
Drying time	3-5 mins
Liquid consumption	120ml/Pcs

HS-600 Pneumatic stencil cleaner

Features:

- Used for cleaning solder paste, red gule,flux,etc
- Stainless steel cabinet with good reliability and can resist any hurt by acid and alkali cleaning chemistry.
- Completely Pneumatic operating without fire risk, no electricity ,safe.
- Side air drying design.
- Humanized design, one button operation and automatic liquid feeding and draining system, easy and convenient.
- Changeable mode controller and fast plug-in design, convenient maintenance.
- Three level filter system, also with special design on air exhaust can reduce cleaning chemistry consumption.
- High precision isobaric double side rotary cleaning nozzle, high cleanliness, steel mesh tension stable.
- Using globe best quality parts, make sure the quality,stability, and long life-span.



S style
exhaust pipe

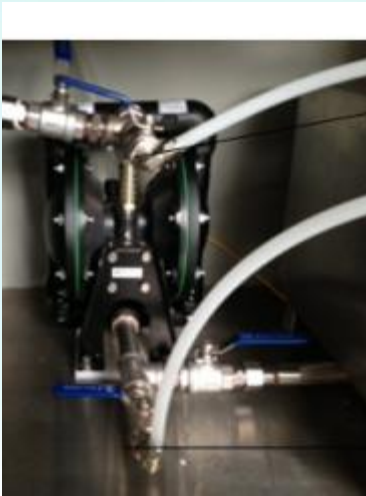


Pump
(From US)

HS-600 Pneumatic stencil cleaner

Maintenance:

- Automatic solvent feeding and draining system
- Controller maintenance
Changeable modular controller and fast plug-in operation ,easy and convenient for maintenance.



Replace the air pipe based on the corresponding number

根据对应的编号替换气管，操作

HS-600 Pneumatic stencil cleaner

Maintenance:



Replace filter:

- Open the door at the bottom right of the machine, remove the filter cartridge with a wrench and remove the old filter cartridge. After cleaning, insert a new filter cartridge. Note: When replacing the filter, use industrial rubber gloves to drain all the liquid in the pipes together with the liquid in the reservoir and the filter inside the machine. So as not to pollute the new filter and achieve a good filtration effect
- Use special wrench to open the filter cartridge :



用专用扳手拧开此处

Use wrench open this screw

- Take off the filter cartridge, tighten clockwise, release at counter clockwise, tighten the filter cartridge after replace the new filter, operate the machine to check if the filter leaks, tighten again until there is no leakage.

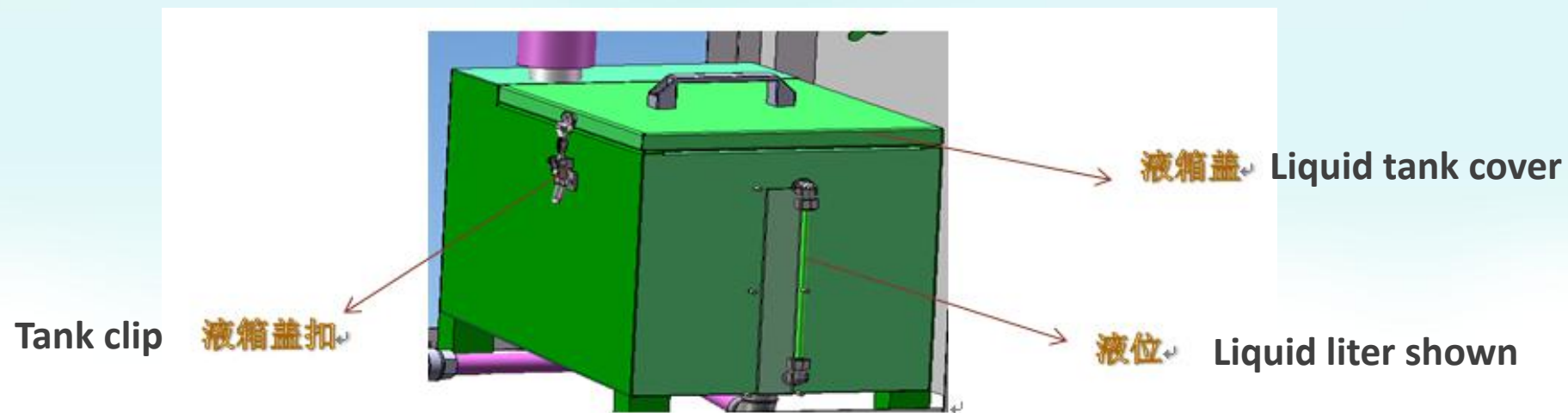
HS-600 Pneumatic stencil cleaner

Maintenance:

● Liquid tank cleaning

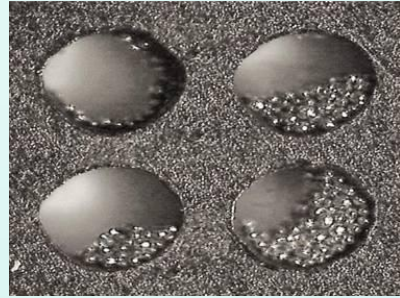
Clean the liquid tank, replace the filter:

Open the door at the bottom of right side of the machine, open the liquid tank cover, take off the filter bad inside the tank, wash the bag and the dirty in the bottom. (When replacing the different cleaning solvent, need remove the filter bag and clean it with clean water before use). Then put it back to original place. Finally, install the tank cover and close the door. As picture shown below:

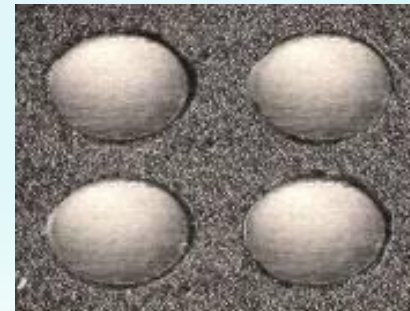


HS-600 Pneumatic stencil cleaner

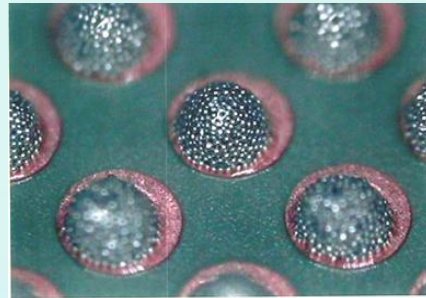
Cleaning performance comparison



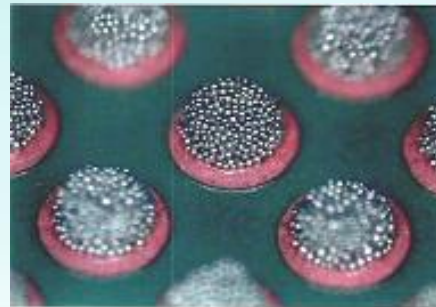
Non-cleaning/
Improper Cleaning



after Cleaning



Bad Printing



Good Printing



Special Nozzle



Stencil Tension Stable:
before-and after